

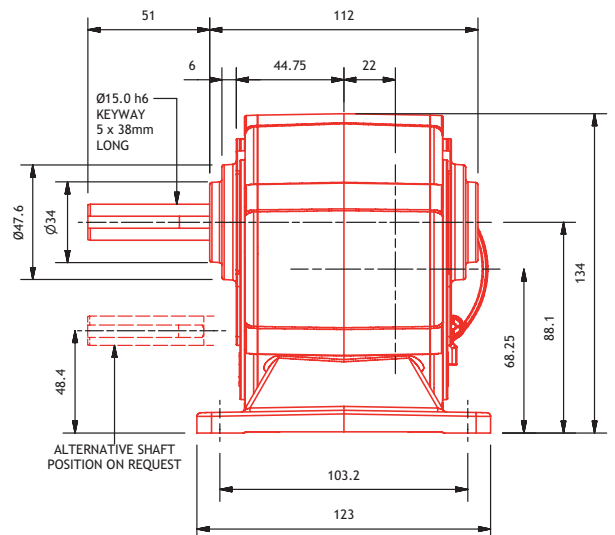
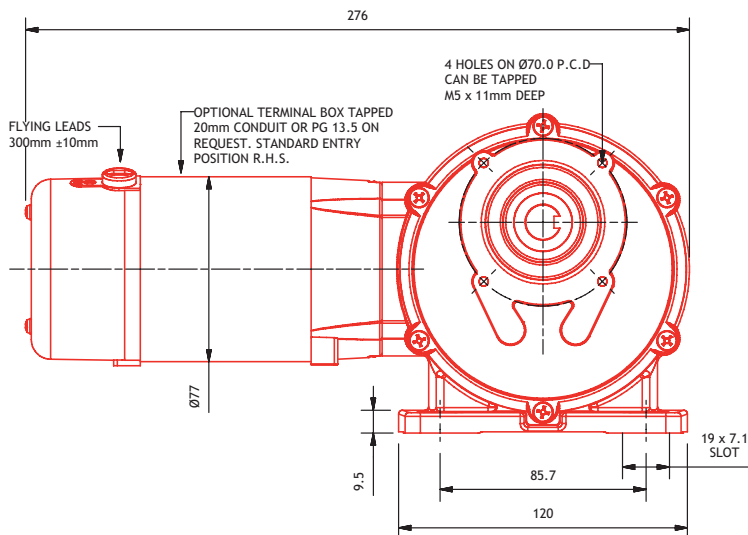
# PM1LWS

- MOTOR Permanent magnet DC motor
- PROTECTION Ventilated (IP21)
- GEARBOX Worm spur (LWS)
- MOTOR POWER 45 - 200 Watts
- SPEED 0.4 - 80 rpm
- VOLTAGE 12V - 220V DC available range
- WEIGHT 6.02 kg
- RADIAL LOAD 446 N
- AXIAL LOAD 226 N
- SHAFT TYPE Single ended or double ended shaft as standard; 17mm diameter shaft available with ratios 115:1 and 56:1
- EXTRAS Gearbox available without feet; unit can be mounted on gearbox spigot; for further options see page 36



See page 158 to specify shaft and gearbox position

Motor Power Cont (W)	45	60	90	120	TORQUE (Nm)			
Motor Power 1 Hour (W)	55	75	110	150	CONTINUOUS	1 HOUR	15 MINUTE	
Motor Power 15 Min (W)	75	100	150	200				
Ratio Worm	Ratio Spur	MOTOR SPEED (rpm)				CONTINUOUS	1 HOUR	15 MINUTE
		1500	2000	3000	4000			
		OUTPUT SPEED (rpm)						
30	115	0.4	0.6	0.9	1.2	100	100	100
16 1/2	115	0.8	1.1	1.6	2.1	100	100	100
8 1/3	115	1.6	2.1	3.1	4	100	100	100
7 1/4	115	1.8	2.4	3.6	5	100	100	100
12 1/2	56	2.1	2.9	4.3	6	100	100	100
10 1/3	56	2.6	3.5	5.2	7	96	100	100
9 1/3	56	2.9	3.8	5.7	8	89	100	100
8 1/3	56	3.2	4.3	6.4	9	82	100	100
7 1/4	56	3.7	4.9	7.4	10	73	90	100
6 1/4	56	4.3	5.7	8.6	11	66	80	100
13 1/2	25	4.4	5.9	9	12	52	62	62
12 1/2	25	4.8	6.4	10	13	49	60	62
10 1/3	25	5.8	8	12	15	43	52	62
9 1/3	25	6.4	9	13	17	40	48	62
8 1/3	25	7	10	14	19	36	45	61
6 1/4	25	10	13	19	26	29	36	49
16 1/2	6	15	20	30	40	14	18	24
13 1/2	6	19	25	37	49	12	15	21
11 1/3	6	22	29	44	59	11	13	18
9 1/3	6	27	36	54	71	10	12	16
8 1/3	6	30	40	60	80	9	11	15



worm spur