

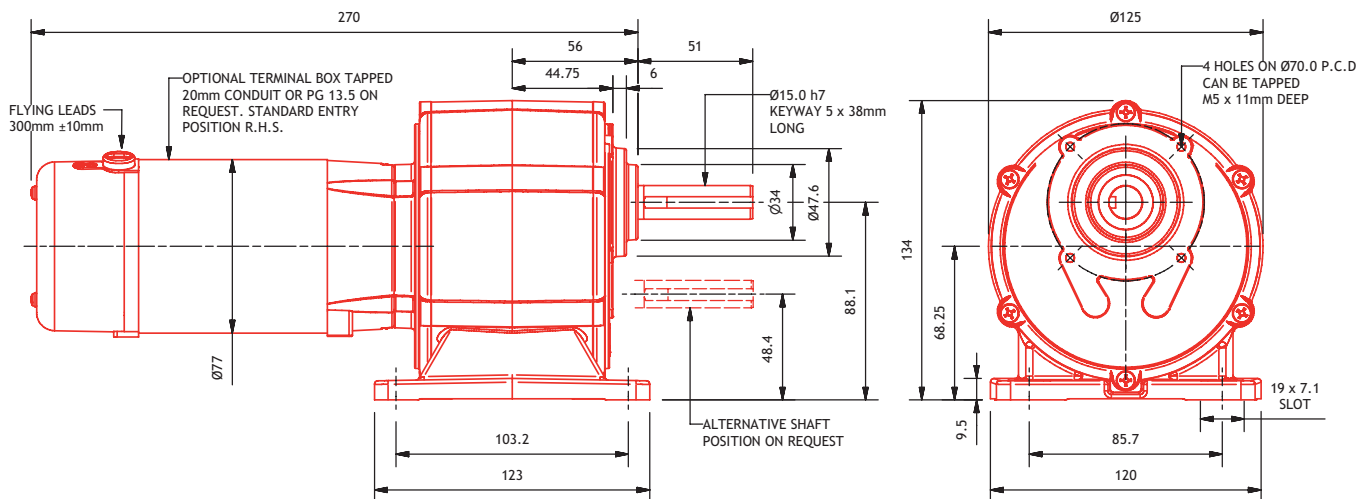
# PM2LIS

MOTOR	Permanent magnet DC motor
PROTECTION	Ventilated (IP21)
GEARBOX	In-line spur (LIS)
MOTOR POWER	60 - 265 Watts
SPEED	4 - 667 rpm
VOLTAGE	12V - 220V DC available range
WEIGHT	6.11 kg
RADIAL LOAD	265 N
AXIAL LOAD	177 N
SHAFT TYPE	Single ended shaft
EXTRAS	See page 36



See page 158 to specify shaft and gearbox position

Motor Power Cont. (W)		60	80	120	160	TORQUE (Nm)		
Motor Power 1 Hour (W)		75	100	150	200			
Motor Power 15 Min (W)		100	120	200	265			
RATIO PINION	RATIO SPUR	MOTOR SPEED (rpm)				CONTINUOUS	1 HOUR	15 MINUTE
		1500	2000	3000	4000			
		OUTPUT SPEED (rpm)						
3	115	4	6	9	12	74	74	74
2	115	7	9	13	17	63	74	74
3	56	9	12	18	24	49	61	82
1	115	13	17	26	35	32	40	53
3	25	20	27	40	53	22	27	37
1	56	27	36	54	71	16	21	27
2	25	30	40	60	80	15	18	24
1	25	60	80	120	160	7	9	12
3	6	83	111	167	222	5	7	9
2	6	125	167	250	333	4	4	6
1	6	250	333	500	667	2	2	3



in-line spur