

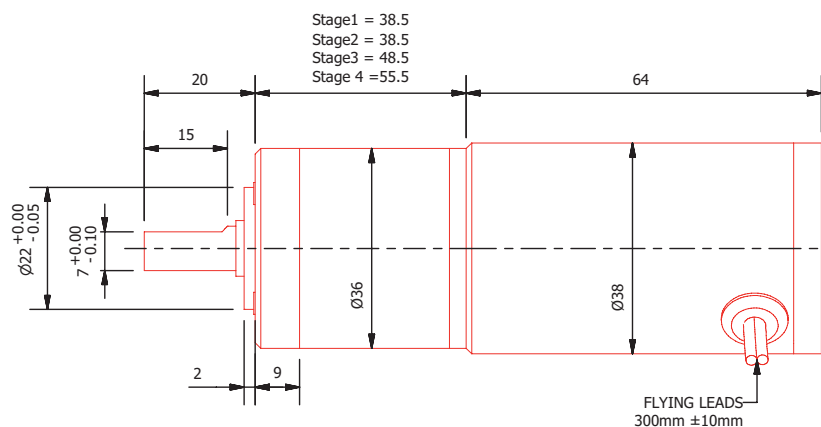
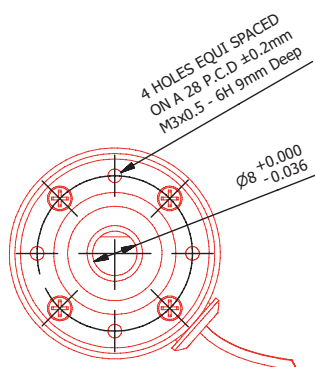
# PM38-63PG36

MOTOR	Permanent magnet DC motor
PROTECTION	Totally enclosed (IP44)
GEARBOX	Planetary
MOTOR POWER	3.8 - 5.7 Watts
SPEED	3 - 647 rpm
VOLTAGE	12V DC standard; 24V - 50V on request
WEIGHT	0.40 kg (ST1); 0.45 kg (ST2); 0.50 kg (ST3); 0.55 kg (ST4)
RADIAL LOAD	13 N (ST1); 26 N (ST2); 39 N (ST3); 39 N (ST4)
AXIAL LOAD	5 N (ST1); 10 N (ST2); 15 N (ST3); 15N (ST4)
SHAFT TYPE	Single shaft as standard
EXTRAS	See page 36



PM38-63 with stage 1 gearbox (PG36) pictured  
See page 158 to specify shaft and gearbox position

Motor Power Cont. (W)		3.8	TORQUE (Nm)		
Motor Power 1 Hour (W)		4.8			
Motor Power 15 Min (W)		5.7			
STAGE	RATIO	MOTOR SPEED (rpm)	CONTINUOUS	1 HOUR	15 MINUTE
		2400			
		OUTPUT SPEED (rpm)			
4	720	3	3.0	3.0	3.0
4	369	7	3.0	3.0	3.0
4	264	9	3.0	3.0	3.0
4	189	13	2.4	3.0	3.0
3	139	17	1.8	2.2	2.7
3	100	24	1.3	1.6	1.9
3	71	34	0.9	1.1	1.4
3	51	47	0.7	0.8	1.0
2	27	89	0.3	0.4	0.5
2	19	126	0.2	0.3	0.4
2	14	171	0.2	0.2	0.3
1	5.18	463	0.1	0.1	0.1
1	3.71	647	0.05	0.1	0.1



planetary