

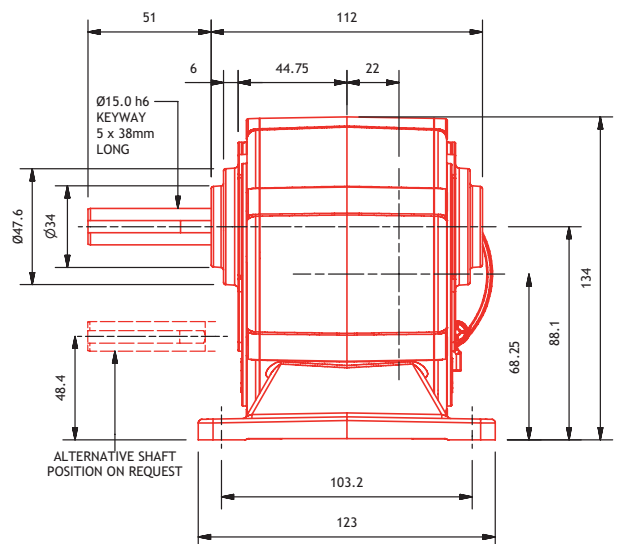
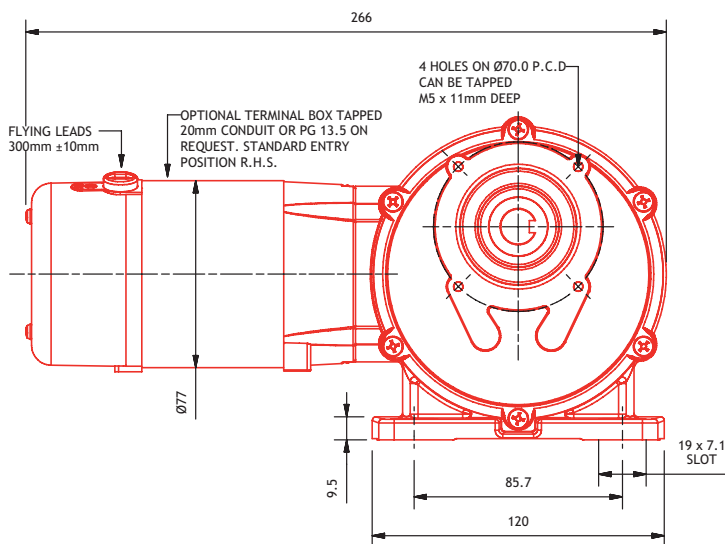
PM3LWS

- MOTOR Permanent magnet DC motor
- PROTECTION Totally enclosed (IP54)
- GEARBOX Worm spur (LWS)
- MOTOR POWER 33 - 150 Watts
- SPEED 0.4 - 80 rpm
- VOLTAGE 12V - 220V DC available range
- WEIGHT 6.02 kg
- RADIAL LOAD 446 N
- AXIAL LOAD 226 N
- SHAFT TYPE Single ended or double ended shaft as standard; 17mm diameter shaft available with ratios 115:1 and 56:1
- EXTRAS Gearbox available without feet; unit can be mounted on gearbox spigot; for further options see page 36



See page 158 to specify shaft and gearbox position

| Motor Power Cont (W) | 33 | 45 | 68 | 90 | TORQUE (Nm) | | | |
|------------------------|------------|--------------------|------|------|-------------|------------|-----------|-----------|
| Motor Power 1 Hour (W) | 45 | 60 | 90 | 120 | CONTINUOUS | 1 HOUR | 15 MINUTE | |
| Motor Power 15 Min (W) | 60 | 90 | 120 | 150 | | | | |
| Ratio Worm | Ratio Spur | MOTOR SPEED (rpm) | | | | CONTINUOUS | 1 HOUR | 15 MINUTE |
| | | 1500 | 2000 | 3000 | 4000 | | | |
| | | OUTPUT SPEED (rpm) | | | | | | |
| 30 | 115 | 0.4 | 0.6 | 0.9 | 1.2 | 100 | 100 | 100 |
| 16 1/2 | 115 | 0.8 | 1.1 | 1.6 | 2.1 | 100 | 100 | 100 |
| 8 1/3 | 115 | 1.6 | 2.1 | 3.1 | 4 | 100 | 100 | 100 |
| 7 1/4 | 115 | 1.8 | 2.4 | 3.6 | 5 | 100 | 100 | 100 |
| 12 1/2 | 56 | 2.1 | 2.9 | 4.3 | 6 | 83 | 100 | 100 |
| 10 1/3 | 56 | 2.6 | 3.5 | 5.2 | 7 | 72 | 96 | 100 |
| 9 1/3 | 56 | 2.9 | 3.8 | 5.7 | 8 | 67 | 89 | 100 |
| 8 1/3 | 56 | 3.2 | 4.3 | 6.4 | 9 | 62 | 82 | 100 |
| 7 1/4 | 56 | 3.7 | 4.9 | 7.4 | 10 | 56 | 73 | 98 |
| 6 1/4 | 56 | 4.3 | 5.7 | 8.6 | 11 | 50 | 66 | 88 |
| 13 1/2 | 25 | 4.4 | 5.9 | 9 | 12 | 39 | 52 | 62 |
| 12 1/2 | 25 | 4.8 | 6.4 | 10 | 13 | 37 | 49 | 62 |
| 10 1/3 | 25 | 5.8 | 8 | 12 | 15 | 32 | 43 | 57 |
| 9 1/3 | 25 | 6.4 | 9 | 13 | 17 | 30 | 40 | 53 |
| 8 1/3 | 25 | 7 | 10 | 14 | 19 | 28 | 36 | 49 |
| 6 1/4 | 25 | 10 | 13 | 19 | 26 | 22 | 29 | 39 |
| 16 1/2 | 6 | 15 | 20 | 30 | 40 | 11 | 14 | 19 |
| 13 1/2 | 6 | 19 | 25 | 37 | 49 | 9 | 12 | 17 |
| 11 1/3 | 6 | 22 | 29 | 44 | 59 | 8 | 11 | 15 |
| 9 1/3 | 6 | 27 | 36 | 54 | 71 | 7 | 10 | 13 |
| 8 1/3 | 6 | 30 | 40 | 60 | 80 | 7 | 9 | 12 |



worm spur