

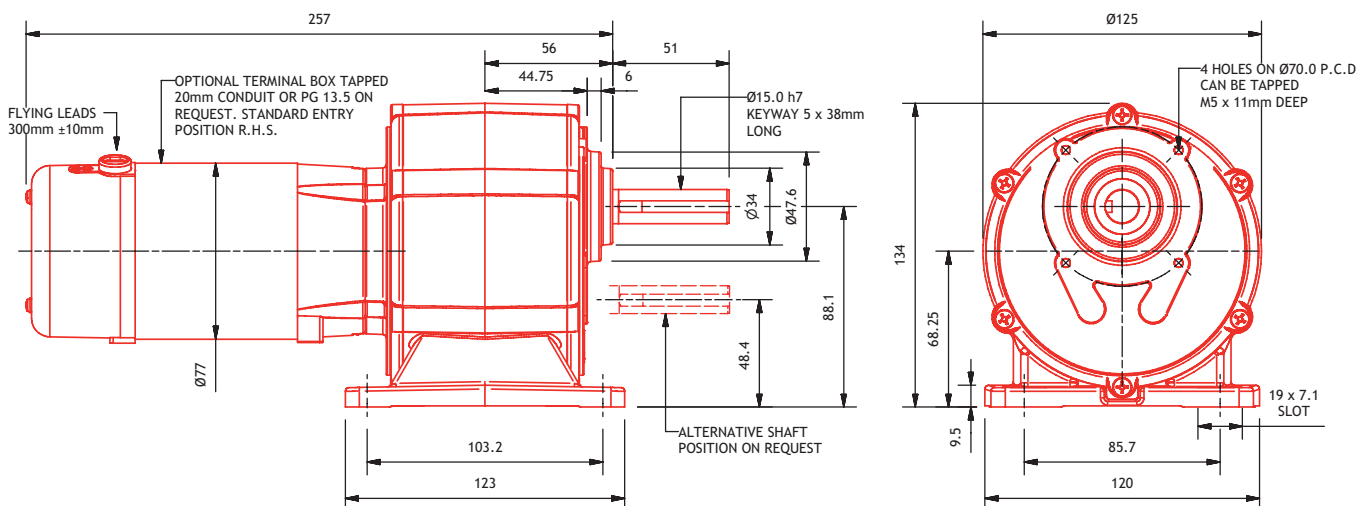
# PM4LIS

MOTOR	Permanent magnet DC motor
PROTECTION	Totally enclosed (IP54)
GEARBOX	In-line spur (LIS)
MOTOR POWER	45 - 200 Watts
SPEED	4 - 667 rpm
VOLTAGE	12V - 220V DC available range
WEIGHT	6.11 kg
RADIAL LOAD	265 N
AXIAL LOAD	177 N
SHAFT TYPE	Single ended shaft
EXTRAS	See page 36



See page 158 to specify shaft and gearbox position

Motor Power Cont. (W)		45	60	90	120	TORQUE (Nm)		
Motor Power 1 Hour (W)		60	80	120	160			
Motor Power 15 Min (W)		80	120	160	200			
RATIO PINION	RATIO SPUR	MOTOR SPEED (rpm)				CONTINUOUS	1 HOUR	15 MINUTE
		1500	2000	3000	4000			
		OUTPUT SPEED (rpm)						
3	115	4	6	9	12	71	74	74
2	115	7	9	13	17	47	63	74
3	56	9	12	18	24	37	49	65
1	115	13	17	26	35	24	32	42
3	25	20	27	40	53	16	22	29
1	56	27	36	54	71	12	16	22
2	25	30	40	60	80	11	15	19
1	25	60	80	120	160	5	7	10
3	6	83	111	167	222	4	5	7
2	6	125	167	250	333	3	4	5
1	6	250	333	500	667	1	2	2



in-line spur