

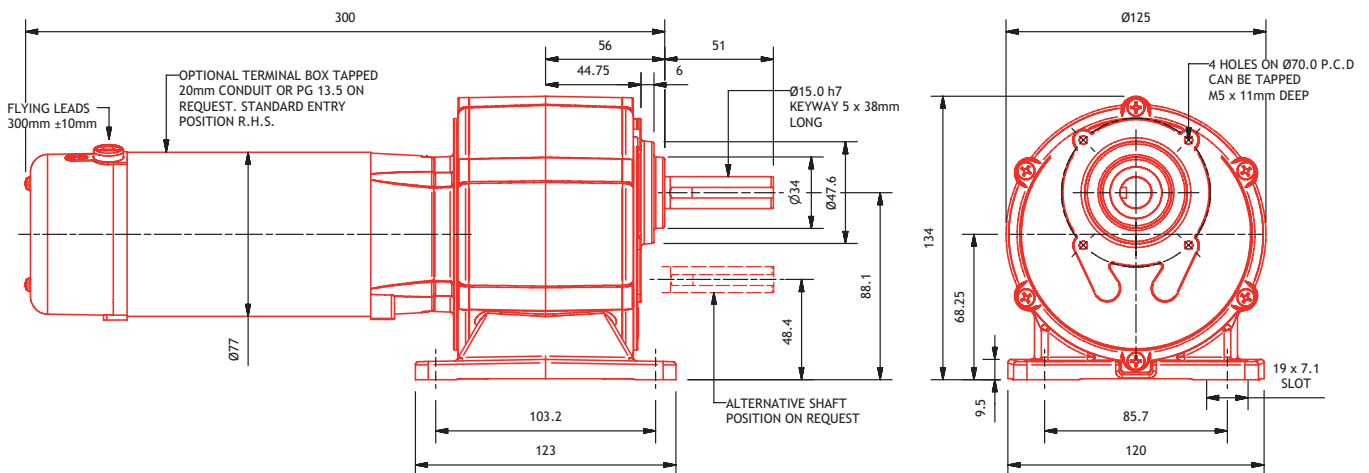
PM60LIS

MOTOR	Permanent magnet DC motor
PROTECTION	Ventilated (IP21)
GEARBOX	In-line spur (LIS)
MOTOR POWER	105 - 460 Watts
SPEED	4 - 667 rpm
VOLTAGE	12V - 220V DC available range
WEIGHT	6.55 kg
RADIAL LOAD	265 N
AXIAL LOAD	177 N
SHAFT TYPE	Single ended shaft
EXTRAS	See page 36



See page 158 to specify shaft and gearbox position

Motor Power Cont. (W)		105	140	210	280	TORQUE (Nm)		
Motor Power 1 Hour (W)		128	170	255	340			
Motor Power 15 Min (W)		172	230	345	460			
RATIO PINION	RATIO SPUR	MOTOR SPEED (rpm)				CONTINUOUS	1 HOUR	15 MINUTE
		1500	2000	3000	4000			
		OUTPUT SPEED (rpm)						
3	115	4	6	9	12	74	74	74
2	115	7	9	13	17	74	74	74
3	56	9	12	18	24	86	100	100
1	115	13	17	26	35	55	67	74
3	25	20	27	40	53	38	47	51
1	56	27	36	54	71	29	35	47
2	25	30	40	60	80	26	31	42
1	25	60	80	120	160	13	16	21
3	6	83	111	167	222	9	11	15
2	6	125	167	250	333	6	7	10
1	6	250	333	500	667	3	4	5



in-line spur