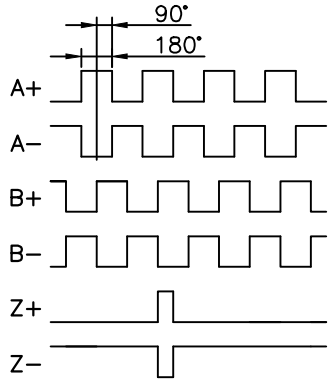
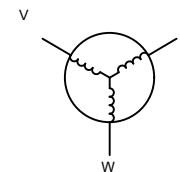
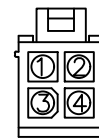
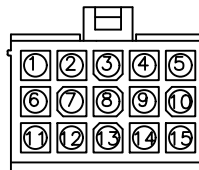
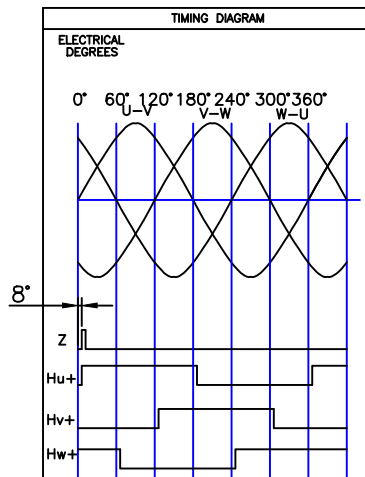


ENCODER
VOLTAGE +5VDC±5%
CURRENT 125 mA
FREQUENCY 0~100 kHz
TEMP. -20~100°C
RESOLUTION 1000



Motor Specification	
Resistance	0.11 Ω±10%
Inductance	0.13 mH±20%
Voltage	24VDC
Rated power	235 W
Rated Speed	3000rpm
Rated Current	14A
Rated Torque	0.75 Nm
Peak Current	40 A
Peak Torque	2.25 Nm
Ke(RMS)	4.25 V/Krpm
Rotor Inertia	0.72Kg.cm <sup>2</sup>
Number of Poles	8
Weight	1.7 Kg



MOTOR CONNECTIONS		
Pin	COLOR	SIGNAL
1	yel	U
2	grn	V
3	blu	W
4	yel/grn	GND

ENCODER CONNECTIONS		
Pin	COLOR	SIGNAL
1	brn	A+
2	brn/blk	A-
3	gry	B+
4	gry/blk	B-
5	org	Z+
6	org/blk	Z-
7	yel	U+
8	yel/blk	U-
9	grn	V+
10	grn/blk	V-
11	wht	W+
12	wht/blk	W-
13	red	+5V
14	blk	GND
15		SHIELD

**POSITEC**

**PSM60-2330B8E1NL**

1:1