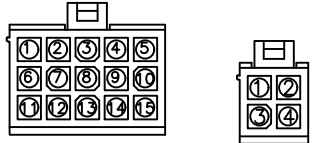
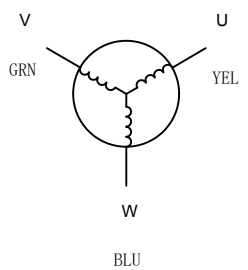
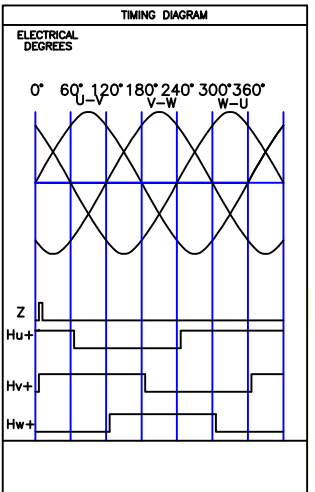
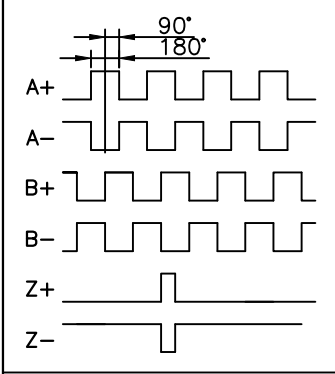


ENCODER
VOLTAGE +5VDC±5%
CURRENT 200 mA Max
FREQUENCY 0~125kHz
TEMP -20~100°C
RESOLUTION 1000



Motor Specification	
Resistance	13 Ω±10%
Inductance	30 mH±20%
Voltage	310VDC
Rated power	313 W
Rated Speed	3000rpm
Rated Current	1.4A
Rated Torque	1.0Nm
Peak Current	4.2A
Peak Torque	3.0Nm
Ke(RMSL-L)	55 V/Krpm
Rotor Inertia	0.37Kg.cm ²
Number of Poles	8
Weight	Kg

ENCODER CONNECTIONS		
Pin	COLOR	SIGNAL
1	brn	A+
2	brn/blk	A-
3	gry	B+
4	gry/blk	B-
5	org	Z+
6	org/blk	Z-
7	yel	U+
8	yel/blk	U-
9	grn	V+
10	grn/blk	V-
11	wht	W+
12	wht/blk	W-
13	red	+5V
14	blk	GND
15		SHIELD

MOTOR CONNECTIONS		
Pin	COLOR	SIGNAL
1	yel	U
2	grn	V
3	blu	W
4	yel/grn	GND

POSITEC		PSM70-313028E1NL		1:1