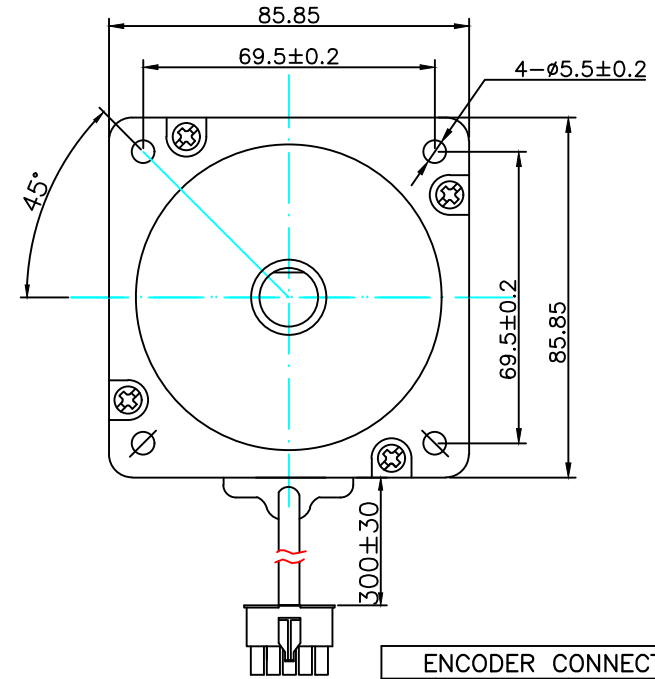
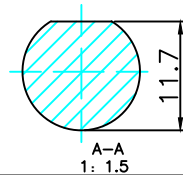
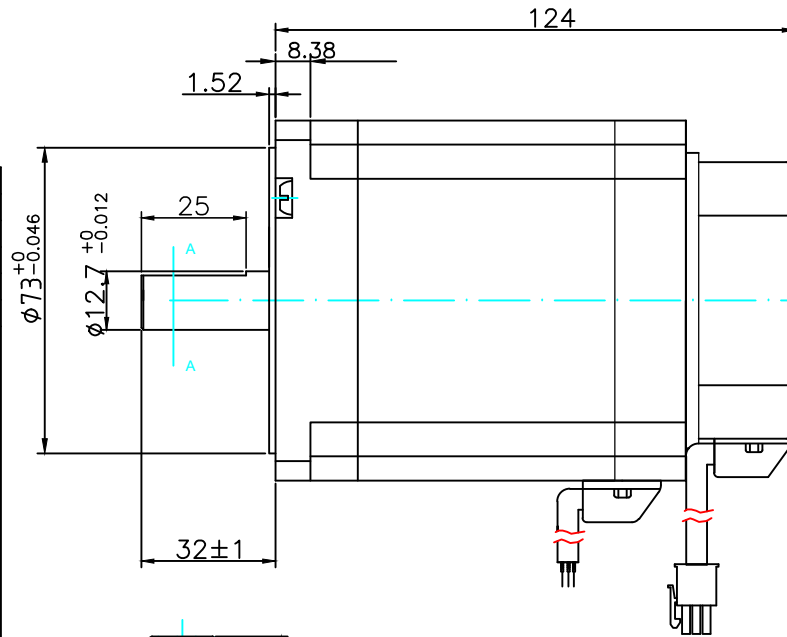
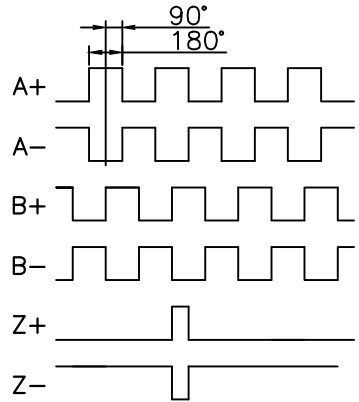
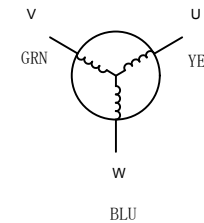
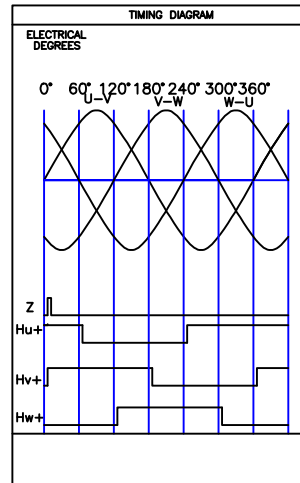


ENCODER	
VOLTAGE	+5VDC±5%
CURRENT	200mA Max
FREQUENCY	0~125kHz
TEMP.	-20~100°C
RESOLUTION	1000



Motor Specification	
Resistance	0,058 Ω±10%
Inductance	0.145mH
Voltage	24VDC
Rated power	440 W
Rated Speed	3000rpm
Rated Current	24A
Rated Torque	1.4Nm
Peak Current	72 A
Peak Torque	4.2 Nm
Ke(RMS)	4.3 V/Krpm
Rotor Inertia	1.6Kg.cm <sup>2</sup>
Number of Poles	8
Weight	2.6 Kg



ENCODER CONNECTIONS		
Pin	COLOR	SIGNAL
1	brn	A+
2	brn/blk	A-
3	gry	B+
4	gry/blk	B-
5	org	Z+
6	org/blk	Z-
7	yel	U+
8	yel/blk	U-
9	grn	V+
10	grn/blk	V-
11	wht	W+
12	wht/blk	W-
13	red	+5V
14	blk	GND
15		SHIELD

MOTOR CONNECTIONS		
Pin	COLOR	SIGNAL
1	yel	U
2	grn	V
3	blu	W

<b>POSITEC</b>		<b>PSM86-4430B8E1NL</b>	