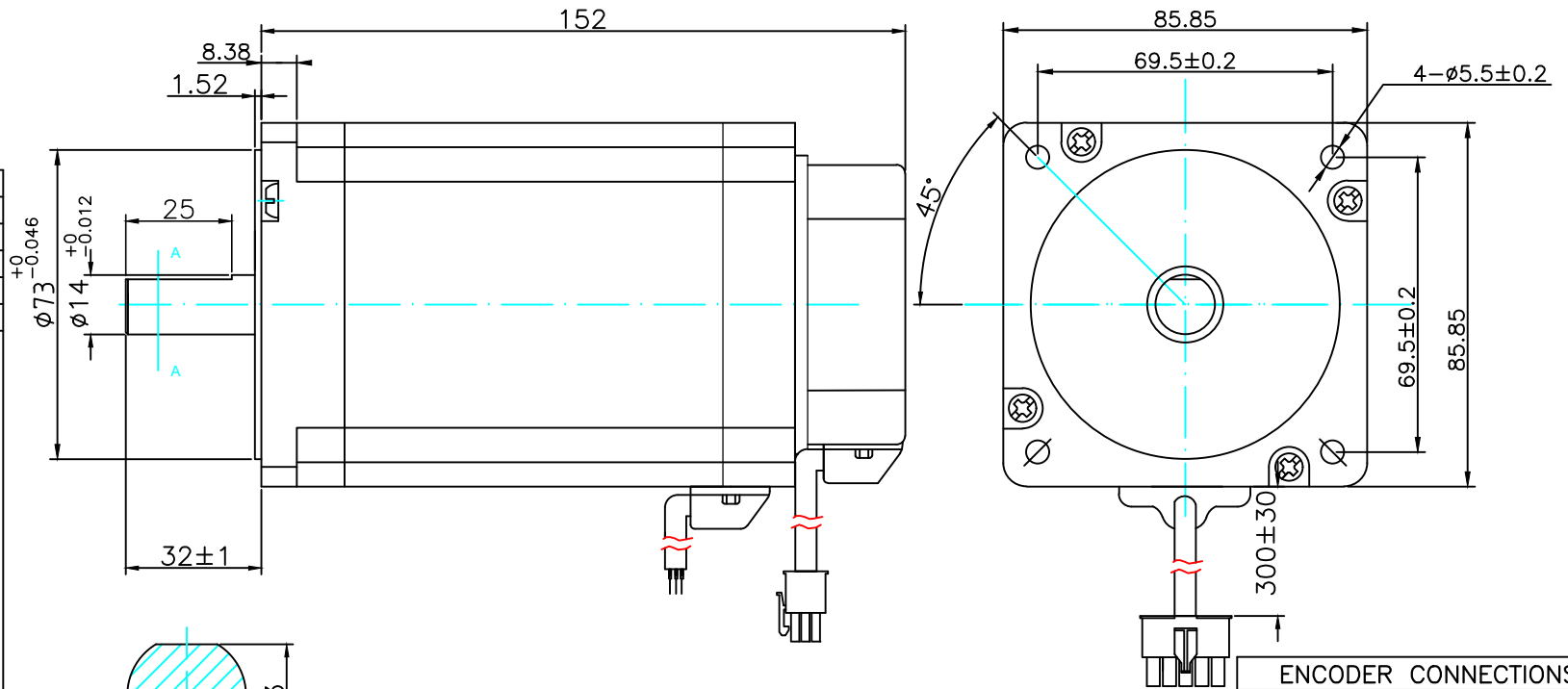
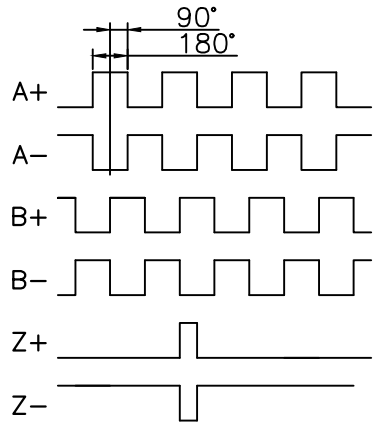
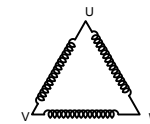
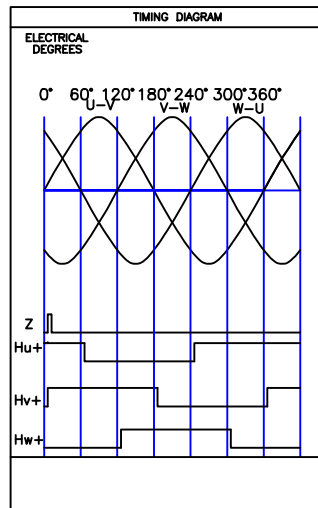


ENCODER
VOLTAGE +5VDC±5%
CURRENT 200mA _{Max}
FREQUENCY 0~125kHz
TEMP. -20~100°C
RESOLUTION 1000



Motor Specification

Resistance	$\Omega \pm 10\%$
Inductance	0.19mH
Voltage	36VDC
Rated power	627 W
Rated Speed	3000rpm
Rated Current	24A
Rated Torque	2Nm
Peak Current	72 A
Peak Torque	6Nm
Ke(RMS)	6.8 V/Krpm
Rotor Inertia	2.4Kg.cm ²
Number of Poles	8
Weight	4.0 Kg



MOTOR CONNECTIONS

Pin	COLOR	SIGNAL
1	yel	U
2	grn	V
3	blu	W
4	yel/grn	GND

ENCODER CONNECTIONS

Pin	COLOR	SIGNAL
1	brn	A+
2	brn/blk	A-
3	gry	B+
4	gry/blk	B-
5	org	Z+
6	org/blk	Z-
7	yel	U+
8	yel/blk	U-
9	grn	V+
10	grn/blk	V-
11	wht	W+
12	wht/blk	W-
13	red	+5V
14	blk	GND
15		SHIELD

POSITEC

PSM86-6230C8E1NL