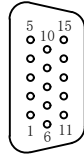


FUNCTION	COLOR
MOTOR U	YELLOW
MOTOR V	RED
MOTOR W	BLACK
MOTOR PE $\perp$	YELLOW/GREEN

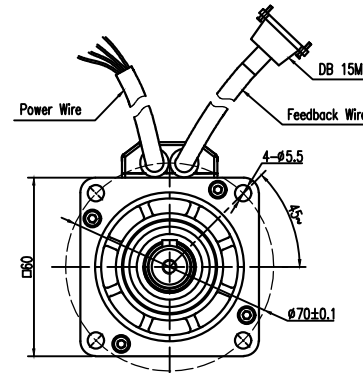
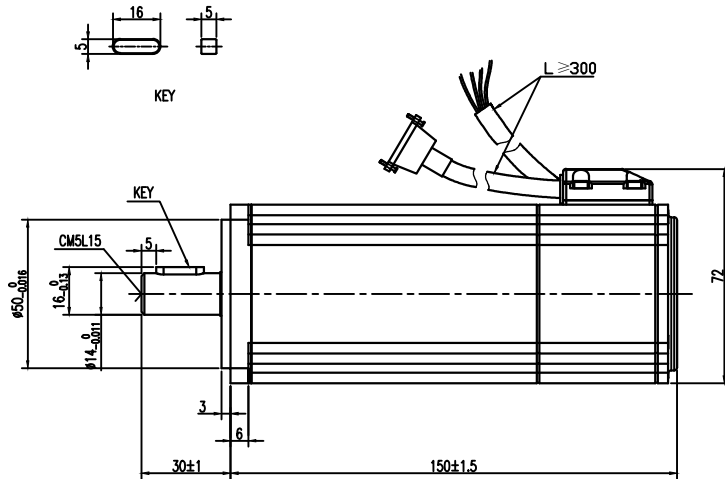
Power Wire

PIN	FUNCTION	COLOR	PIN	FUNCTION	COLOR
1	DC +5V	RED	9	W	GRAY/BLACK
2	GND	BLACK	10	V	WHITE/BLACK
3	NC	NC	11	/Z	YELLOW/BLACK
4	U	BROWN/BLACK	12	/B	GREEN/BLACK
5	/U	BROWN	13	/A	BLUE
6	Z	YELLOW	14	/W	GRAY
7	B	GREEN	15	/V	WHITE
8	A	BLUE/BLACK			

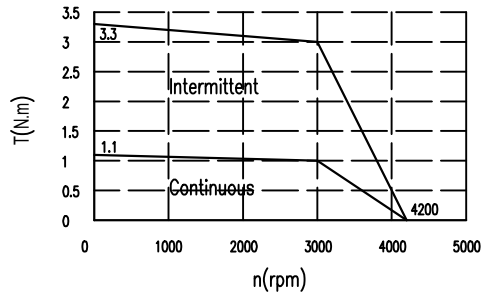


DB 15M

Connector Detail (Feedback Wire)



Performance Curve



Technical Data		
No. of poles	6	
DC Link Voltage $U_{dc}$ (DC Link)	24	
Rated Power $P_N$ (W)	310	
Rated Torque $T_N$ (N.m)	1	
Rated Speed $n_n$ (rpm)	3000	
Rated Current $I_N$ (A)	16.7	
Maximum torque $T_m$ (N.m)	3	
Maximum Current $I_m$ (A)	50	
Standstill torque $T_s$ (N.m)	1.1	
Standstill current $I_s$ (A)	18.4	
Resistance line-line $R_L$ (*)	0.073	
Inductance line-line $L_L$ (mH)	0.12	
Electrical time constant $\tau_e$ (ms)	1.64	
Mechanical time constant $\tau_m$ (ms)	1.39	
Voltage constant $K_e$ (V/krpm)	4	
Torque constant $K_t$ (Nm/A)	0.066	
Rotor moment of inertia $J_m$ (Kg.cm <sup>2</sup> )	0.48	
Max. voltage rising $du/dt$ (KV/μs)	8	
Insulation class	F	
Max. radial force $F_r$ (N)	180	
Max. axial force $F_a$ (N)	90	
Weight(Kg)	1.8	
Feed back device	2500p/rev incremental encoder TS6014N115	
Temperature sensor	n.a.	
Cooling method	Totally enclosed non-ventilated	
protection level	IP65,shaft sealing IP54	
Environmental conditions	Temperature	-20°C~40°C
	Humidity	Below 90%RH (No dewing)
	Environment	For away active gas,combustible gas,oil drop,ash.
Rating conditions	Installation altitude	UP TO 1000m:rated power, above 1000m:1.5% power decreasing per 100m,max.4000m
	Mounting	Aluminum flange 255x255x6mm
	Temperature	60K housing temperature ring at 40°C ambient

REV	ECN NO.	DRN	APP'D	DATE	DESIGN	DATE	P/N
							K3.162.0273SS
UNLESS OTHERWISE SPECIFIED TOLERANCES:		MATERIAL	CONTR.	CHECK	TITLE		
DECIMALS: .x ±0.5					Outside Drawing		
ANGULAR: .xx ±0.25					USED ON		
.xxx ±0.1					PSM60-3130B6E2NL-30		
UNIT: mm					DWG NO.		
DO NOT SCALE DRAWING		FIRST ANGLE PROJECTION	SCALE	SHEET		REV	A
			OF			POSITEC	