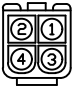


PIN	FUNCTION	COLOR
1	MOTOR U	YELLOW
2	MOTOR V	RED
3	MOTOR W	BLACK
4	MOTOR PE	YELLOW/GREEN



Housing:H66L6-04P
Terminal:T66L6-B

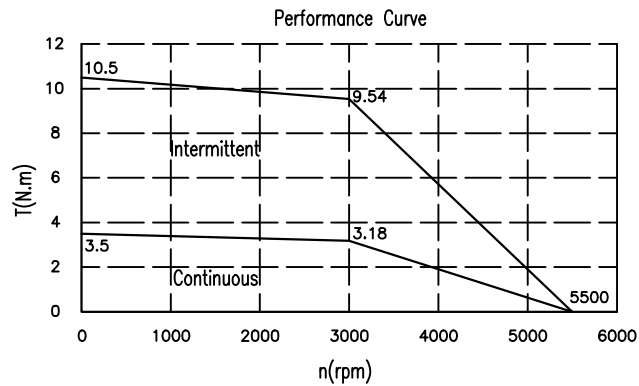
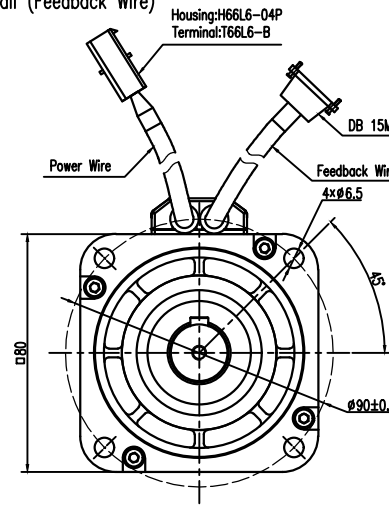
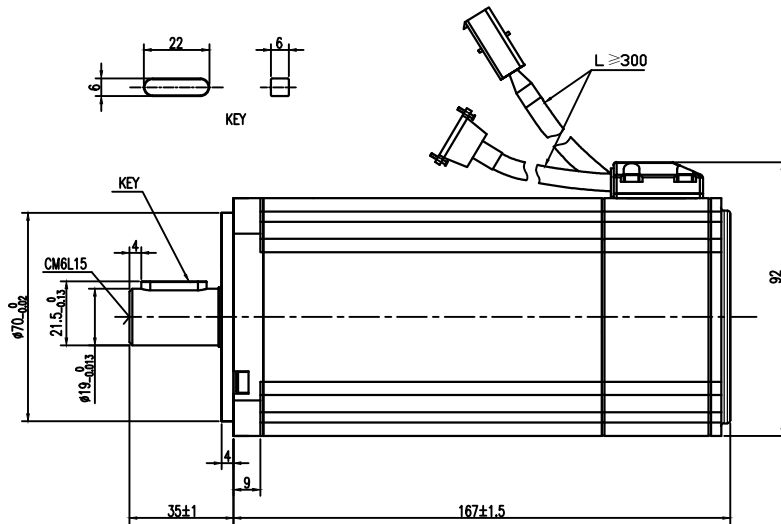
Connector Detail (Power Wire)

PIN	FUNCTION	COLOR	PIN	FUNCTION	COLOR
1	DC +5V	RED	9	W	GRAY/BLACK
2	GND	BLACK	10	V	WHITE/BLACK
3	NC	NC	11	/Z	YELLOW/BLACK
4	U	BROWN/BLACK	12	/B	GREEN/BLACK
5	/U	BROWN	13	/A	BLUE
6	Z	YELLOW	14	/W	GRAY
7	B	GREEN	15	/V	WHITE
8	A	BLUE/BLACK			



DB 15M

Connector Detail (Feedback Wire)



Technical Data		
No. of poles	6	
DC Link Voltage U_{dc} (DC Link)	300	
Rated Power P_N (W)	1000	
Rated Torque T_N (N.m)	3.18	
Rated Speed n_n (rpm)	3000	
Rated Current I_N (A)	6.3	
Maximum torque T_m (N.m)	9.54	
Maximum Current I_m (A)	18.9	
Standstill torque T_s (N.m)	3.5	
Standstill current I_s (A)	6.93	
Resistance line-line R_L (Ω)	0.86	
Inductance line-line L_L (mH)	4.5	
Electrical time constant τ_e (ms)	5.23	
Mechanical time constant τ_m (ms)	0.89	
Voltage constant K_e (V/krpm)	34	
Torque constant K_t (Nm/A)	0.562	
Rotor moment of inertia J_m (Kg.cm ²)	1.9	
Max. voltage rising du/dt (KV/ μ s)	8	
Insulation class	F	
Max. radial force F_r (N)	335	
Max. axial force F_a (N)	167.5	
Weight(Kg)	3.9	
Feed back device	2500p/rev incremental encoder TS6014N115	
Temperature sensor	n.a.	
Cooling method	Totally enclosed non-ventilated	
protection level	IP65,shaft sealing IP54	
Environmental conditions	Temperature	-20 \circ ~40 \circ C
	Humidity	Below 90%RH (No dewing)
	Environment	For away active gas,combustible gas,oil drop,ash.
Rating conditions	Installation altitude	UP TO 1000m:rated power, above 1000m:1.5% power decreasing per 100m,max.4000m
	Mounting	Aluminum flange 255x255x6mm
	Temperature	60K housing temperature ring at 40 \circ C ambient

REV	ECN NO.	DRN	APP'D	DATE	DESIGN	DATE	P/N
							K3.162.5132SS
UNLESS OTHERWISE SPECIFIED TOLERANCES:		MATERIAL	CONTR.	CHECK	TITLE		
DECIMALS: .x ± 0.5					Outside Drawing		
ANGULAR: .xx ± 0.25					USED ON		
.xxx ± 0.1					PSM80-1003026E2NL		
UNIT: mm					DWG NO.		
DO NOT SCALE DRAWING					REV A		
FIRST ANGLE PROJECTION				SCALE	POSITEC		
				SHEET	OF		