

A-A
1:2

Ø 35 ±0.05



28 ±

116 ±0.5

2

7

70

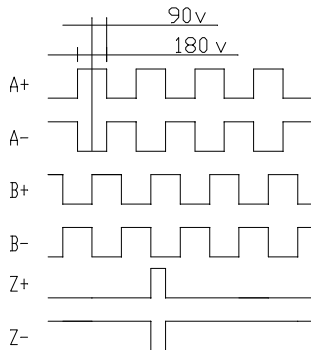
56.6 ±0.2

4 - Ø 5.5

56.6 ±0.2

70

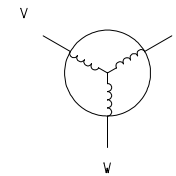
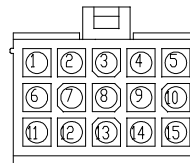
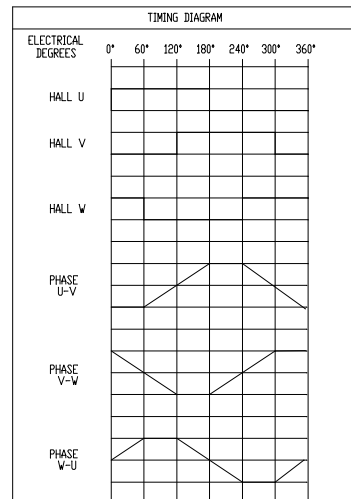
ENCODER	
VOLTAGE	+5VDC±5%
CURRENT	200 mA Max
FREQUENCY	0~125kHz
TEMP.	-20~100°C
RESOLUTION	1000



ENCODER CONNECTIONS		
Pin	COLOR	SIGNAL
1	brn	A+
2	brn/blk	A-
3	gry	B+
4	gry/blk	B-
5	org	Z+
6	org/blk	Z-
7	yel	U+
8	yel/blk	U-
9	grn	V+
10	grn/blk	V-
11	wht	W+
12	wht/blk	W-
13	red	+5V
14	blk	GND

MOTOR CONNECTIONS		
Pin	COLOR	SIGNAL
1	yel	U
2	grn	V
3	blu	W
4		GND

Motor Specification	
Resistance	0.2 ohm ±10%
Inductance	0.17mH ±20%
Voltage	24VDC
Rated power	313 W
Rated Speed	3000 rpm
Rated Current	17 A
Rated Torque	1.0 Nm
Peak Current	51A
Peak Torque	3.0 Nm
Ke(RMS)	4.25 V/Krpm
Number of Poles	8



PSM70-3130B8E1NL